

Weatherbeta 32

Double Glazed Thermal Break
Louvre Window

- Linear Motor Control (LMC)
- Manual Control
- Smokebeta



Louvres Sunscreens Natural Ventilators

Ruskin Air Management Limited
www.ruskinuk.co.uk

Introduction

Weatherbeta 32 is a double glazed thermal break aluminium louvre window system.

The benefits of fully controllable ventilation are enhanced by the elimination of frame cold bridge effect.

Weatherbeta 32 is available for hand/pole or remote gear (eg. teleflex) operation together with options for electric motor and fail-safe actuator applications.

Materials

Frame and louvre blade sections are from extruded aluminium grade 6063T6 to BS EN 755. Thermal break material is extruded polyamide 6.6 glass fibre reinforced.

Finishes

Available in natural anodised, polyester powder coated (to RAL colour range) or black or bronze anodised (within agreed tolerances).

Glazing

32 mm double glazed units available with a variety of glass types. Clear float units will be 4/24/4 (glass/cavity/glass).

Glass is supplied for site glazing. Tape gasket is fitted to the external side of the glazing profiles. Internal wedge gasket is supplied loose for site fitting by the glazier.

Size guide for self mullion / coupled windows

Width mm	Height mm	Maximum Wind load n/mm ²
1500	1800	1400
1200	1800	1800
1500	2000	1000
1300	1500	2300

Operation

Standard handle is for hand/pole operation or drop rod.

Windows are available with 230v electric linear motors (LMC) or with fail safe 24 volt AC/DC actuators.

A maximum bank of five blades are linked internally and controlled by one handle.

For LMC and Smokebeta windows, extra banks of blades may be linked externally by their handles for control by one actuator.

Fixing

Direct to structure by fixing lugs or direct screw fix.

Construction

Surround frames have equal leg sections with square cut mechanically jointed corners. Louvre blades are butt jointed and mechanically fixed.

Jamb weatherstrips run full height in the fixed frame profile providing a continuous seal.

Horizontal weatherstrips are housed in the frame head and cill and blade profiles.

Sizes: Height

Windows are produced with equal opening blade sizes with a maximum blade of 350 mm.

Length

The maximum length for a single window or panel is 1500 mm. Windows are available in 1,2, or 3 panel units, within a maximum frame length of 3000 mm, by using self mullion couplings.

Coupling

Composite windows are provided by the use of mullion and transom sections.

Channel frame

Where windows are to be fitted into curtain wall or other window systems, a 'channel frame' glazing option is available.

Thermal performance

Thermal transmittance of window is 2.1 W/(m²k) based on 1500 mm W x 1500 mm H with centre pane thermal transmittance of glazing 1.1 W (m²k) and linear thermal transmittance for glazing spacer bar 0.08 W/(m²k) in accordance with EN ISO 10077-1:2006.



Smokebeta Fail safe windows

Description

Fitted with 24v AC/DC spring return actuator(s) that electrically 'power on' close the ventilators and 'power off' open them by spring action. The latter is the fail safe action and is employed in an emergency for smoke venting.

Offered in single or multiple panels, the latter assembled with integral self mullion.

Application

Designed for situations where windows are linked into building management system.

Handing

The mechanism for fail safe actuators may be positioned either on the left or the right hand jamb or central mullion.

Ventilation

Louvres are either closed or fully open giving approx. 66% free air space.

A 24 volt AC/DC actuator is also available providing for any degree of ventilation from nil to fully open.

Control panels

Control panels and related equipment must be obtained from a specialist supplier and be designed to satisfy control requirements.

Actuator specification

Frequency: 50-60 Hz
Voltage:
24V ac \pm 20%
24V dc \pm 10%

Current:

Stationary 0.125 amp
Running: 0.375 amp

Linear motor control LMC

Description

Works assembled windows incorporating 230 volt linear motor controlled ventilators providing a simple and effective control method for high level ventilation.

Offered in single or multiple panels, the latter assembled with integral self mullion.

Application

Designed for high level situations.

Not for use in modulating mode where constant adjustment occurs.

Handing

The mechanism for linear motor controlled ventilators may be positioned either on the left or the right hand jamb or central mullion.

Ventilation

Adjustable to any required degree of ventilation from nil to approx. 63% free air space. Panels having more than five blades are linked together to allow control from one linear motor.

Motor specification

Frequency: 50 Hz
Voltage: 230V AC (single ph)
Current: 0.60 amp
Pull: 15-20 kg

Installation

Fixed directly into Weatherbeta louvre windows with internal wiring. Flying leads terminate at head of window.

Electrical equipment

The linear motor is supplied fitted to the window. All other electrical control equipment must be obtained from a specialist supplier.

The control switch must spring return to 'off'. Multiple motors may be connected parallel to one switch. The motor is protected by a thermal cut-out which if activated will automatically reset after 25-30 minutes.

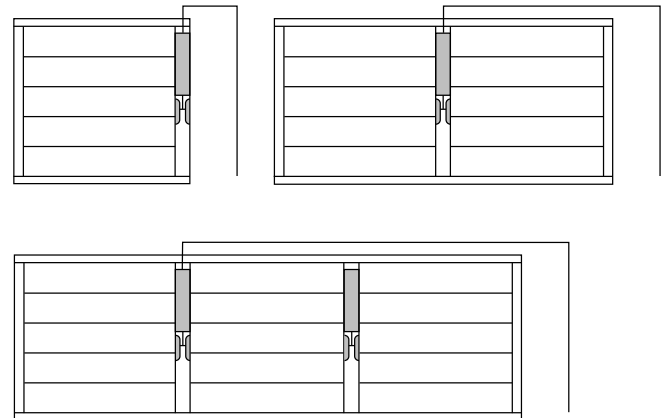
Electrical installation

The electrical installation must only be carried out by a qualified electrical contractor in compliance with current safety regulations of the country of use. In the UK this

is the IEE Wiring Regulations 16th Edition 'Requirements for Electrical Installations' BS 7671 as amended.

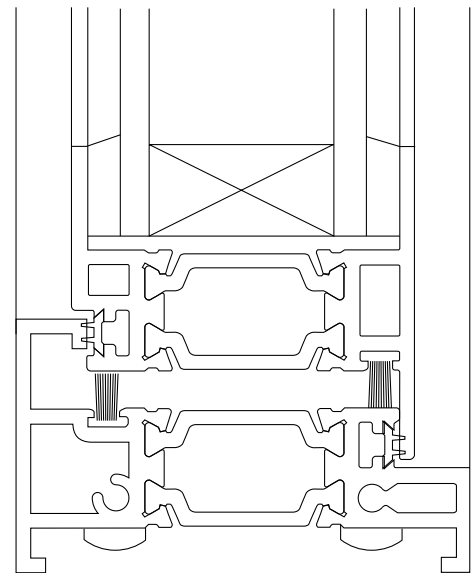
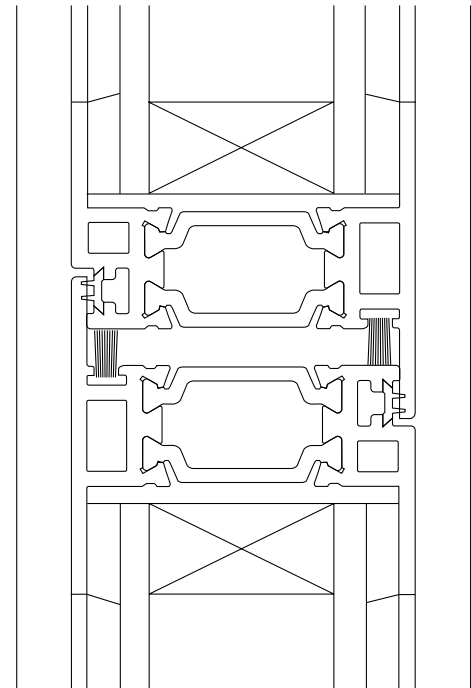
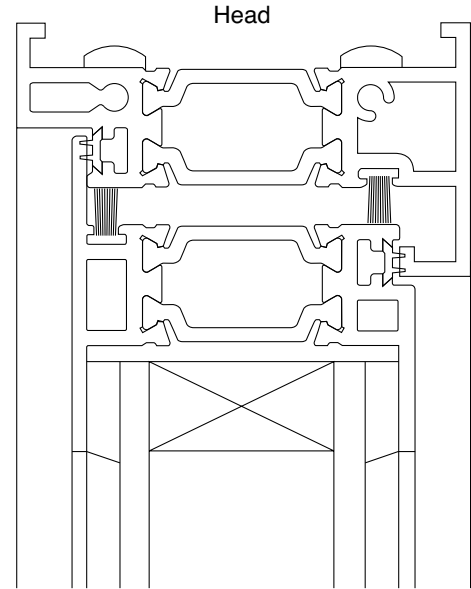
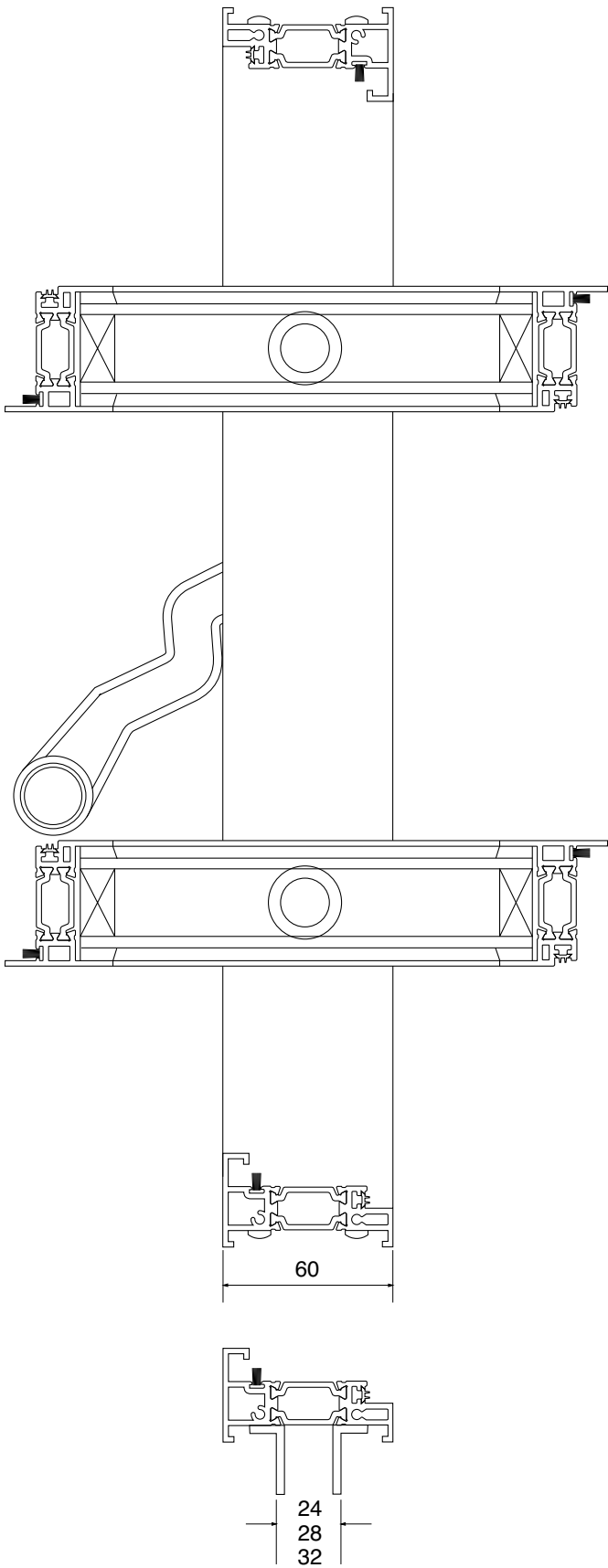
This covers specific requirements for the earth bonding of metal windows.

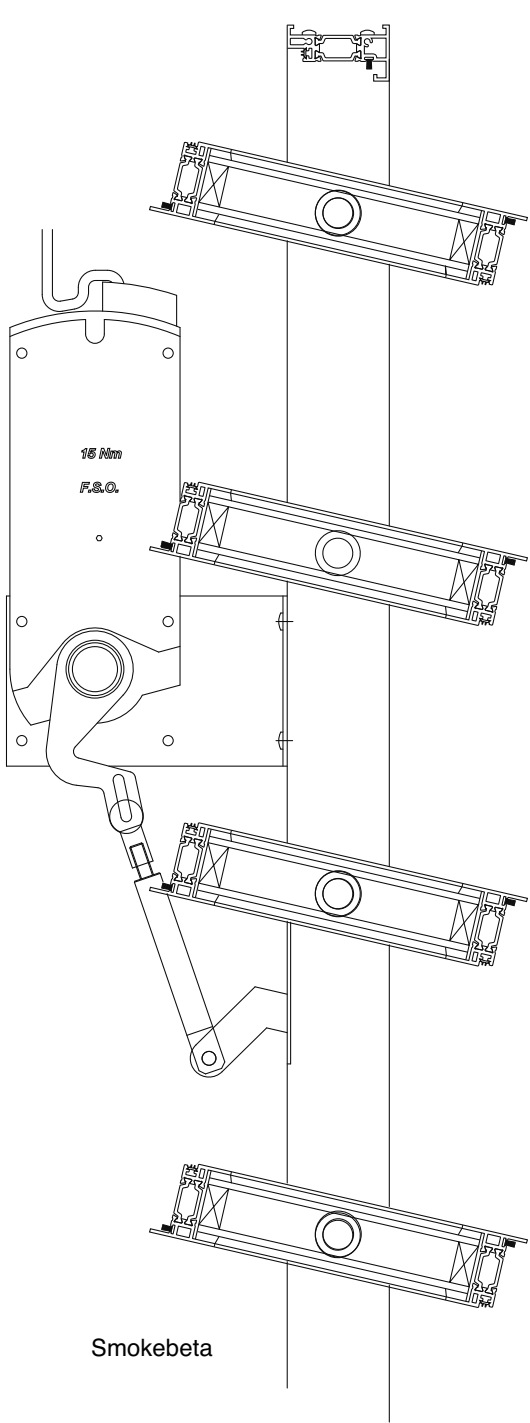
Typical panel arrangements 4 – 5 blade units



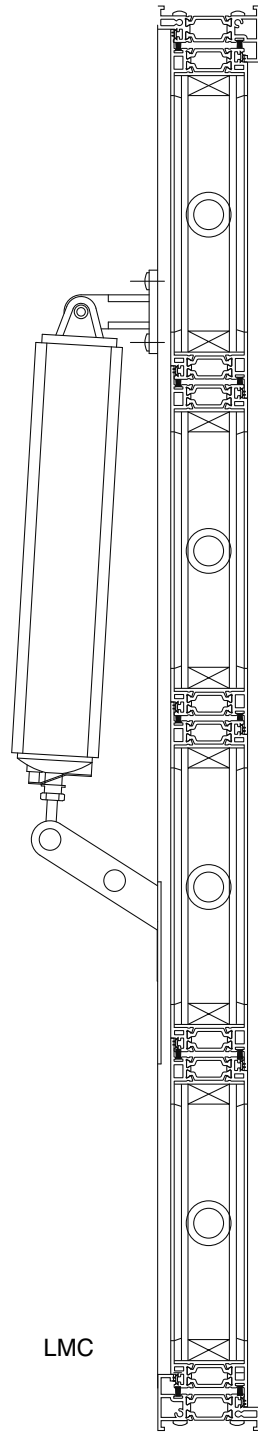
Maximum 10 blades from one actuator



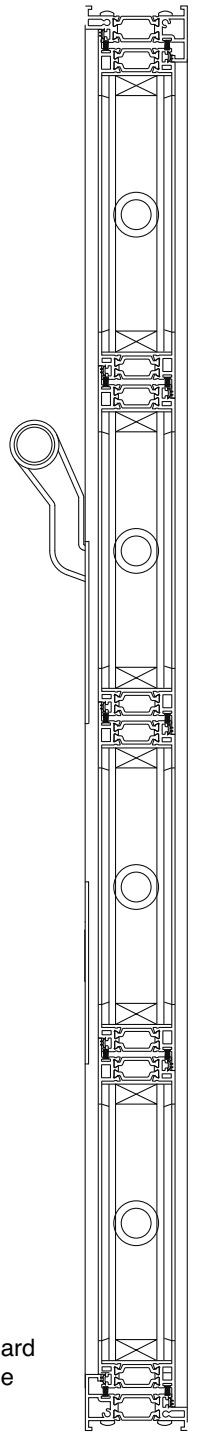




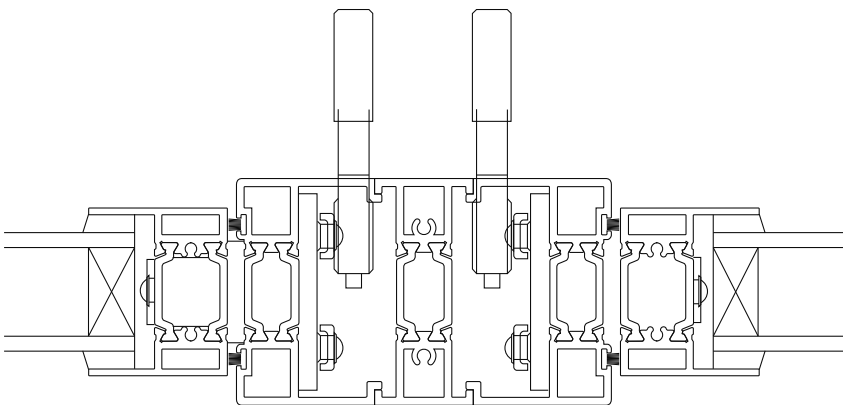
Smokebeta



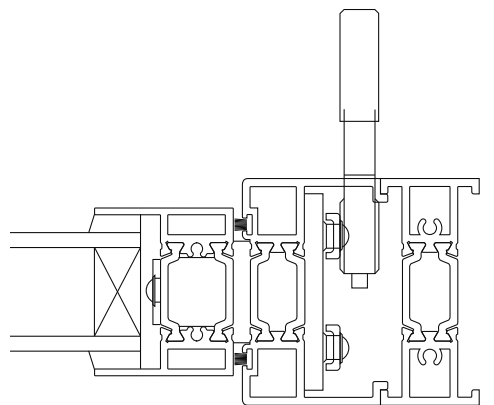
LMC



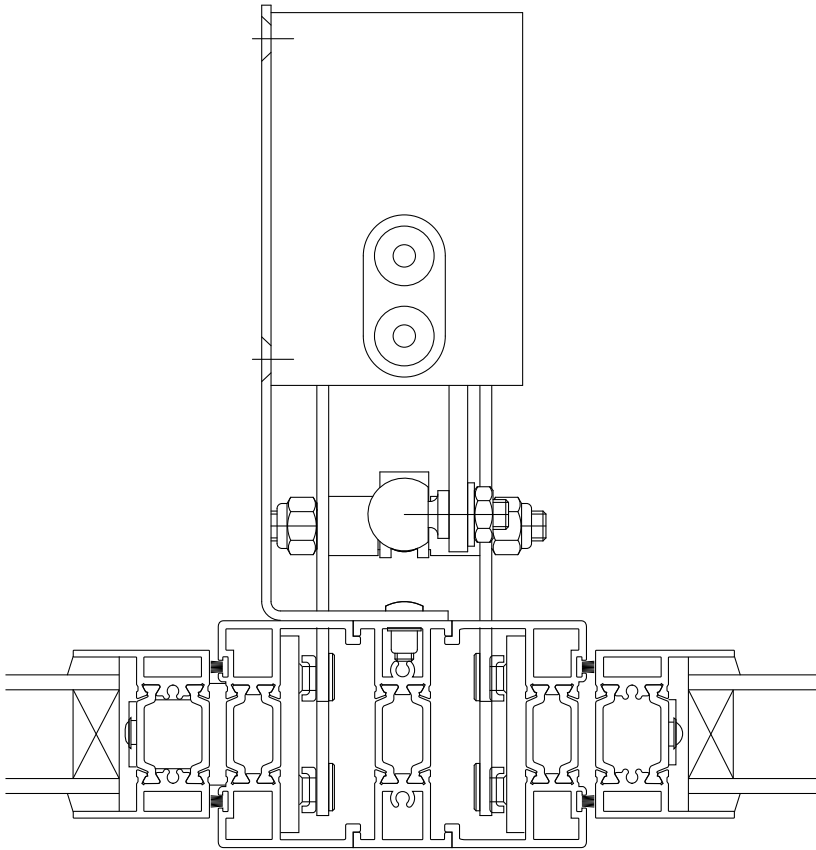
Standard Handle



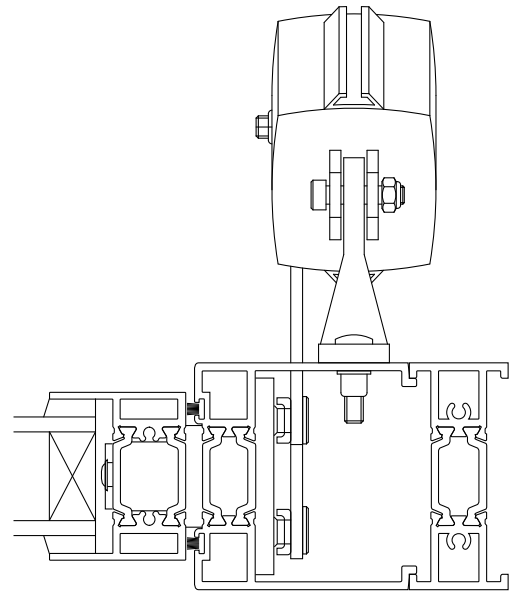
Standard Handle Self-Mullion



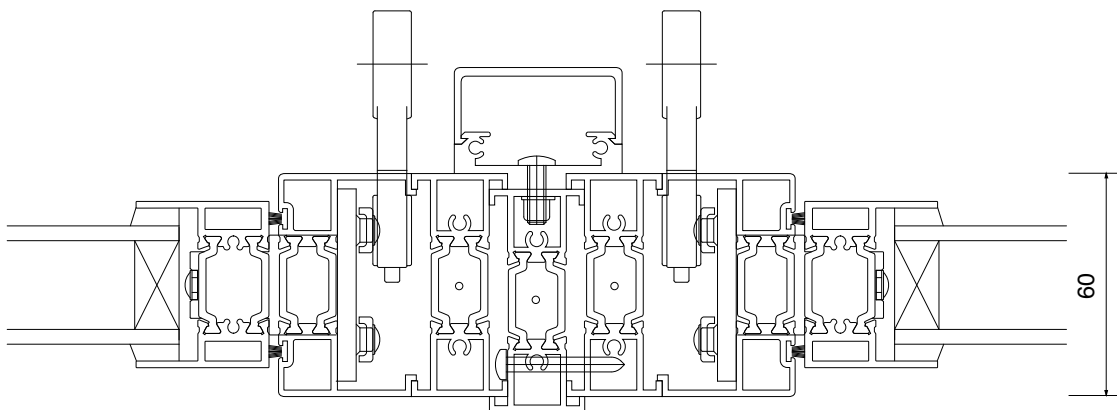
Standard Handle Jamb



Smokebeta Self-Mullion



LMC Jamb



Coupling Mullion



**Ruskin Air Management Limited
is a BS EN ISO 9000 registered
company.**

The statements made in this brochure or by our representatives in consequence of any enquiries arising out of this document are given for information purposes only. They are not intended to have any legal effect and the company is not to be regarded as bound thereby. The company will only accept obligations which are expressly negotiated for and agreed and incorporated into a written agreement made with its customers.

Due to a policy of continuous product development the specification and details contained herein are subject to alteration without prior notice.

**Comprehensive and detailed information
is available for all Naco products. Visit
our website at www.naco.co.uk**

Ruskin Air Management Limited

Stourbridge Road, Bridgnorth
Shropshire, WV15 5BB
Tel: 01746 761921
Fax: 01746 766450
Email: sales@naco.co.uk
Website: www.naco.co.uk



Louvres Sunscreens Natural Ventilators