

# Natural Smoke Ventilation

- AOW hand control ventilation with 24v fail safe open action
- Smokebeta 24v or 230v fail safe open, power close system
- LMC 230v linear motor providing power open and power close cycles

Natural ventilation of smoke filled areas can provide a safer exit for building occupants and clearer access for emergency services

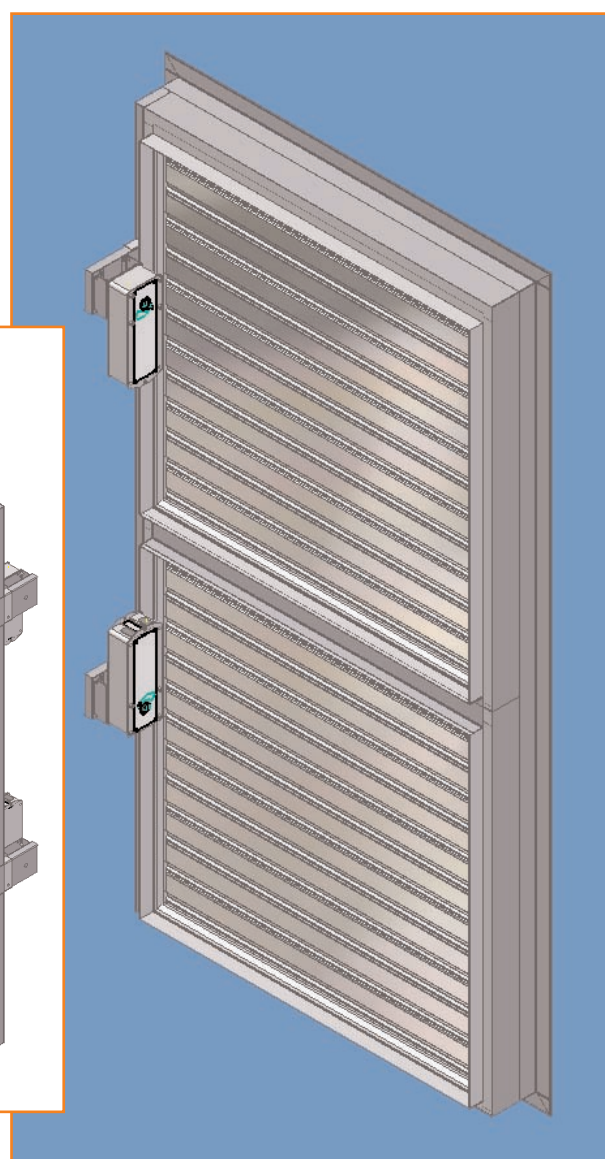
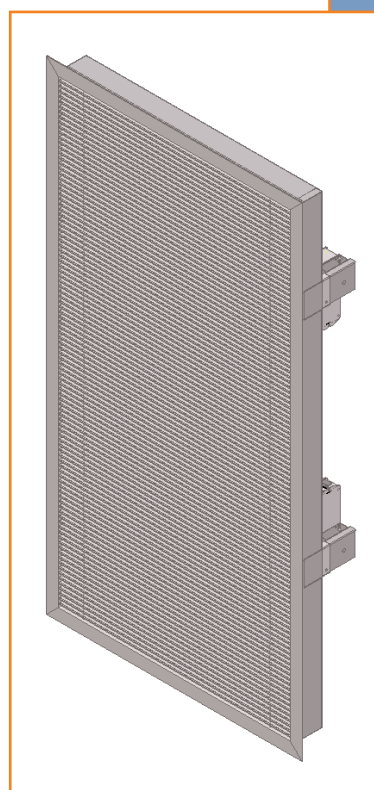


**Ruskin Air Management Limited**  
Stourbridge Road, Bridgnorth, Shropshire WV15 5BB  
Telephone 01746 761921, Facsimile 01746 766450  
Website [www.naco.co.uk](http://www.naco.co.uk) E-mail [sales@naco.co.uk](mailto:sales@naco.co.uk)  
LS10400 (2.05)

# Smoke Shaft Ventilation

- achieve 1.5 m<sup>2</sup> free area
- galvanised steel frame
- stainless steel blades
- 24v or 230v actuators
- failsafe open / power close
- power open and close option
- powder coat grille on vision side

PTC Corridor Dampers provide a fire rated barrier for shaft ventilation systems for control of smoke in residential and commercial buildings



**Ruskin Air Management Limited**  
Stourbridge Road, Bridgnorth, Shropshire WV15 5BB  
Telephone 01746 761921, Facsimile 01746 766450  
Website [www.naco.co.uk](http://www.naco.co.uk) E-mail [sales@naco.co.uk](mailto:sales@naco.co.uk)  
LS10400 (2.05)